

1007 Bronze Gate Valve (Peg. Type) (Screwed)

Salient Features

- Design Standard BSEN 12288 (BS 5154).
- Screwed Female Ends to IS 554 / BS 21 / ISO 7.
- Screwed in Bonnet, Inside Screw, Non-Rising Stem, Integral Seat.
- Designed sheet metal handwheel for a firm grip and convenient operation.
- Premium Quality PTFE Gland Packing.

Test Pressure (Hydrostatic) :
Shell : 25 kg/cm²g (350 psig)
Seat : 16 kg/cm²g (225 psig)
Maximum Working Temperature : 225°C

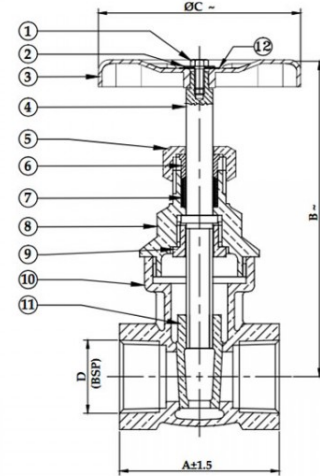
Suitable For

Water, Oil



Materials

P.No.	Name of Part	Material of Construction	Specification	Quantity
1	Screw / Bolt	Carbon Steel (Zinc Plated)	- - -	1
2	Washer	Carbon Steel (Zinc Plated)	- - -	1
3	Handwheel	Sheet Metal (Powder Coated)	- - -	1
4	Stem	Forged Brass	IS 6912 Gr. FLB	1
5	Gland Nut	Forged Brass	IS 6912 Gr. FLB	1
6	Gland	Forged Brass	IS 6912 Gr. FLB	1
7	Gland Packing	PTFE	BSEN 12086 - 1	-
8	Bonnet	Forged Brass / Bronze	IS 6912 Gr. FLB / IS 318 Gr. LTB2	1
9	Check Nut	Forged Brass	IS 6912 Gr. FLB	1
10	Body	Bronze	IS 318 Gr. LTB 2	1
11	Wedge	Bronze	IS 318 Gr. LTB 2	1
12	Name Plate	Aluminium	- - -	1



Sizes / Dimensions

Size (Inches)	Size (mm)	A ±1.5	B ~	ØC ~	D
1/4	8	43	89	40	1/4"
3/8	10	43	92	50	3/8"
1/2	15	48	105	50	1/2"
3/4	20	53	114	57	3/4"
1	25	60	129	65	1"
1 1/4	32	68	139	76	1 1/4"
1 1/2	40	72	155	80	1 1/2"
2	50	83	189	86	2"
2 1/2	65	94	220	120	2 1/2"
3	80	105	250	127	3"
4	100	127	307	160	4"