

1010 Bronze Horizontal Check Valve (Screwed)

Salient Features

- Screwed Female Ends to IS 554 / BS 21 / ISO 7.
- Screwed in Bonnet, Integral Seat.
- Permits flow in one direction and closes automatically if the flow reverses.
- Metal Disc is mushroom shaped with spherical seating surface.
- Meant for Horizontal Lines only.
- Disc is guided in Body as well as in Bonnet.
- Medium Pattern.
- Also available with metal to metal seating.

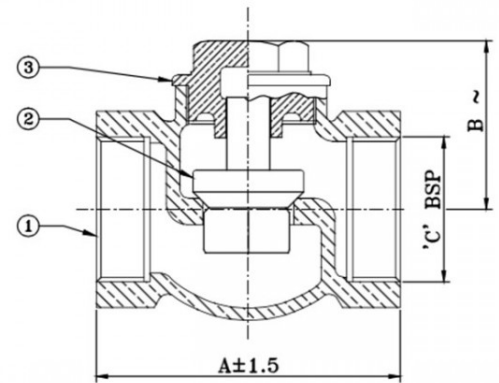
Test Pressure (Hydrostatic) :
Shell : 20 kg/cm²g (285 psig)
Seat : 13.5 kg/cm²g (192 psig)
Maximum Working Temperature : 80°C

Suitable For

Water, Oil

Materials

P.No.	Name of Part	Material of Construction	Specification	Quantity
1	Body	Bronze	IS 318 Gr. LTB 2	1
2	Disc	Bronze	IS 318 Gr. LTB 2	1
3	Bonnet	Bronze	IS 318 Gr. LTB 2	1
4	'O' Ring	Nitrile Rubber	IS 5192 - 1	1



Sizes / Dimensions

Size (Inches)	Size (mm)	A ±1.5	B ~	C
1/4	8	33	24	1/4"
3/8	10	37	28	3/8"
1/2	15	45	32	1/2"
3/4	20	53	37	3/4"
1	25	57	41	1"
1 1/4	32	71	46	1 1/4"
1 1/2	40	79	52	1 1/2"
2	50	86	66	2"
2 1/2	65	107	80	2 1/2"
3	80	123	94	3"
4	100	159	104	4"