

1014 Bronze Horizontal Check Valve No.9 (Flanged)

Salient Features

- Flanged Ends to BS 10 Table 'F'.
- Screwed on Bonnet.
- Permits flow in one direction and closes automatically if the flow reverses.
- Renewable 13% Cr. Stainless Steel (SS 410) working parts.
- Metal Disc is mushroom shaped with spherical seating surface.
- Meant for Horizontal Lines Only.
- Disc is guided in Bonnet.

Test Pressure (Hydrostatic) :
Shell : 35 kg/cm²g (500 psig)
Working Pressure (Steam) : 10.55 kg/cm²g (150 psig)
Maximum Working Temperature : 225°C

Suitable For

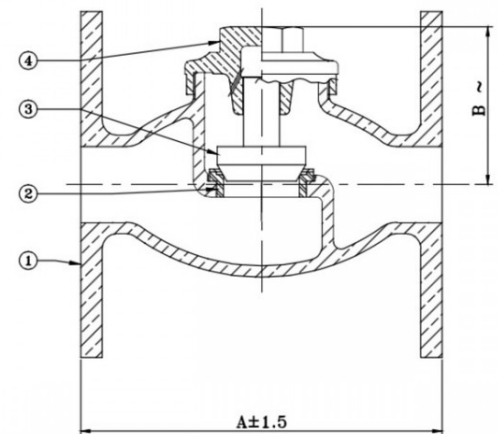
Steam, Water, Oil, Air*, Gases*

*Also available with PTFE Seating for Air and Gas applications, at a nominal extra price.



Materials

P.No.	Name of Part	Material of Construction	Specification	Quantity
1	Body	Bronze	IS 318 Gr. LTB 2	1
2	Body Seat Ring	Stainless Steel	ASTM A276 Type 410	1
3	Disc	Stainless Steel	ASTM A276 Type 410	1
4	Bonnet	Bronze	IS 318 Gr. LTB 2	1



Sizes / Dimensions

Size (Inches)	Size (mm)	A ± 1.5	B ~
1/2	15	82	48
3/4	20	96	50
1	25	112	61
1 1/4	32	119	72
1 1/2	40	132	84
2	50	157	93
2 1/2	65	185	109
3	80	213	121
4	100	248	146