

1050 Bronze Sleeve Packed Water Level Gauge (Flanged) I.B.R

Salient Features

- Flanged End to BS 10 Table 'H'.
- Automatic Shut Off Device in Water Arm.
- Set available for both, Right Hand and Left Hand operations.
- Premium Quality Sleeve, Reinforced by metallic eye holes provided to avoid any clogging of passage.
- Each piece is fitted with self adjusting inverted taper plug (Stainless Steel) which forms a seal in the renewable moulded asbestos sleeve.
- Sleeve can easily be positioned by a rib which fits in the corresponding groove of the body.



Test Pressure (Hydrostatic) :

Shell : 35.15 kg/cm²g (500 psig)

Working Pressure (Steam) : 17.58 kg/cm²g (250 psig)

Maximum Working Temperature : 225°C

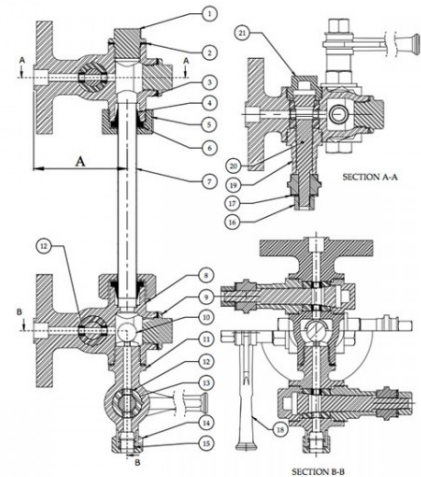
Suitable For

Steam, Water

Materials

P.No.	Name of Part	Material of Construction	Specification	Quantity
1	Plug	Bronze	IBR 282 (a) (iv) Gr. B	2
2	Gasket	Steam Jointing Sheet	IS 2712 Gr. W/3	4
3	Upper Arm	Bronze	IBR 282 (a) (iv) Gr. B	1
4	Cone	Synthetic Rubber	IS 5192-1	2
5	Nut	Bronze	IBR 282 (a) (iv) Gr. B	2
6	Washer	Bronze	IBR 282 (a) (iv) Gr. B	2
7	Glass Tube*	Toughened Glass	---	1
8	Lower Arm	Bronze	IBR 282 (a) (iv) Gr. B	1
9	Plug	Bronze	IBR 282 (a) (iv) Gr. B	1
10	Ball	Stainless Steel	ASTM A 276 Type 304	1
11	Drain Valve	Bronze	IBR 282 (a) (iv) Gr. B	1
12	Sleeve Bush	Bronze	IBR 282 (a) (iv) Gr. B	6
13	Sleeve	Moulded Asbestos	---	3
14	Union Nut	Bronze	IBR 282 (a) (iv) Gr. B	1
15	Nipple	Bronze	IBR 282 (a) (iv) Gr. B	1
16	Nut	Carbon Steel	---	3
17	Name Plate	Brass / Aluminium	---	3
18	Handle	Bronze	IBR 282 (a) (iv) Gr. B	3
19	Stem	Stainless Steel	ASTM A276 Type 410	3
20	Bonnet	Bronze	IBR 282 (a) (iv) Gr. B	3
21	Lock Nut	Bronze	IBR 282 (a) (iv) Gr. B	3

* Glass Tube is not provided with this product.



Sizes / Dimensions

Size (Inches)	Size (mm)	A
1/2	15	80
3/4	20	92