

1061 Bronze Auxiliary Steam Stop Valve Straight Pattern (Screwed)

I.B.R

Salient Features

- Screwed Female Ends to BSPT.
- Straight Pattern, Screwed / Bolted Bonnet, Outside Screw, Rising Stem, Yoke Type.
- Provision for re-packing under pressure.
- Handwheel Operated.
- Renewable 13% Cr. Stainless Steel (SS 410) working parts.
- Body Seat Ring and Disc are heat treated for longer life.
- High Quality lubricated Gland Packing.

Test Pressure (Hydrostatic) :

Shell : 35.15 kg/cm²g (500 psig)

Working Pressure (Steam) : 17.58 kg/cm²g (250 psig)

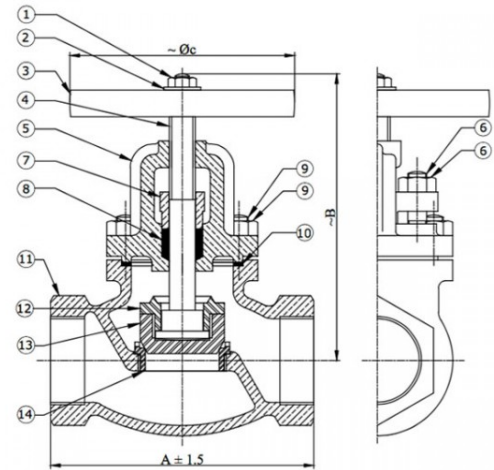
Maximum Working Temperature : 225°C

Suitable For

Steam, Water

Materials

P.No.	Name of Part	Material of Construction	Specification	Quantity
1	Nut	Carbon Steel	---	1
2	Washer	Carbon Steel	---	1
3	Handwheel	Cast Iron	IS 210 Gr. FG 200	1
4	Stem	Stainless Steel	ASTM A 276 Type 410	1
5	Bonnet	Bronze	IBR 282 (a)(iv) Gr. B	1
6	Studs & Nuts	Carbon Steel	IS 1367	To Suit
7	Gland	Bronze	IBR 282 (a)(iv) Gr. B	1
8	Gland Packing	Graphited Asbestos	IS 4687	
9	Studs & Nuts	Carbon Steel	IS 1367	To Suit
10	Gasket	Steam Jointing Sheet	IS 2712 Gr. W/3	1
11	Body	Bronze	IBR 282 (a)(iv) Gr. B	1
12	Disc Nut	Bronze	IBR 282 (a)(iv) Gr. B	1
13	Disc	Stainless Steel	ASTM A 276 Type 410	1
14	Body Seat Ring	Stainless Steel	ASTM A 276 Type 410	1



Sizes / Dimensions

Size (Inches)	Size (mm)	A ±1.5	B ~	ØC ~	D
1/2	15	83	118	70	1/2"
3/4	20	95	118	80	3/4"
1	25	111	138	95	1"
1 1/4	32	133	160	110	1 1/4"
1 1/2	40	152	170	127	1 1/2"
2	50	178	195	152	2"