

1064 Bronze Fusible Plug (Two Piece Design) ^{I.B.R}

Salient Features

- Screwed Male End to BSPT.
- Two Piece Design.
- Premium Quality Fusible Alloy used.

Test Pressure (Hydrostatic) :

Shell : 35.15 kg/cm²g (500 psig)

Working Pressure (Steam) : 17.58 kg/cm²g (250 psig)

Maximum Working Temperature : 225°C

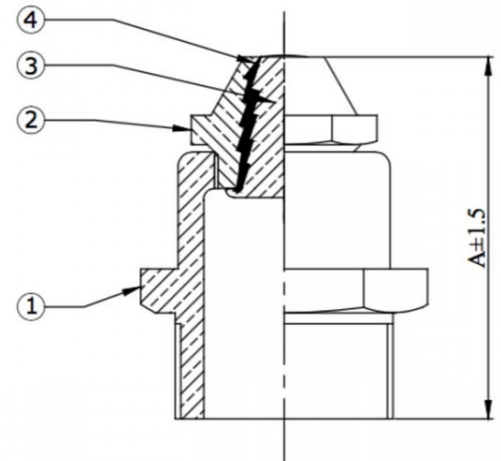
Suitable For

Steam



Materials

P.No.	Name of Part	Material of Construction	Specification	Quantity
1	Body	Bronze	IBR 282 (a) (iv) Gr. B	1
2	Cone	Bronze	IBR 282 (a) (iv) Gr. B	1
3	Plug	Bronze	IBR 282 (a) (iv) Gr. B	1
4	Fusible Alloy	Pb-Sn-ALLOY	IBR 333	1



Sizes / Dimensions

Size (Inches)	Size (mm)	A ±1.5	B
1/2	15	52	1/2"
3/4	20	56	3/4"
1	25	70	1"
1 1/4	32	82	1 1/4"
1 1/2	40	88	1 1/2"
2	50	102	2"

NOTE : Spare cone also available for this product as per our Price List Article No. 1064A.