

1065 Cast Iron Globe Steam Stop Valve Straight Pattern (Flanged) I.B.R.

Salient Features

- Flanged Ends to DIN 2533 PN 16RF.
- Straight Pattern, Outside Screw, Yoke Type, Rising Stem.
- Renewable 13% Cr. Stainless Steel (SS 410) working parts.
- Provision for re-packing under pressure.
- Minimum pressure drop inside the body due to streamlined body design.
- High lift of the seat to avoid any obstruction in the flow.
- Sturdy and comparatively bigger sized wheel provided to give sufficient torque for easy operation.

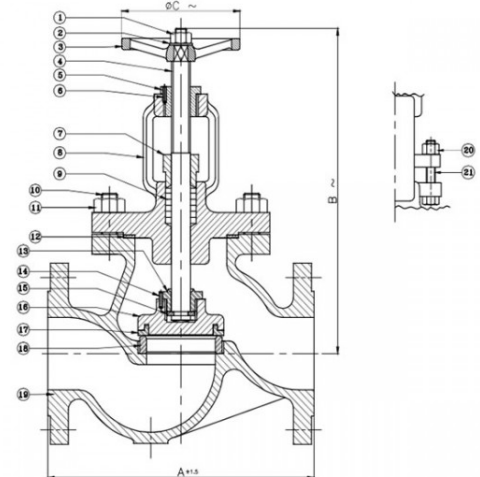
Test Pressure (Hydrostatic) :
Shell : 26 kg/cm²g (370 psig)
Working Pressure (Steam) : 13 kg/cm²g (185 psig)
Maximum Working Temperature : 220°C

Suitable For
Steam, Water



Materials

P.No.	Name of Part	Material of Construction	Specification	Quantity
1	Nut	Carbon Steel	---	1
2	Washer	Carbon Steel	---	1
3	Handwheel	Cast Iron	IS 210 Gr. FG 200	1
4	Stem	Stainless Steel	ASTM 276 Type 410	1
5	Yoke Bush	Bronze	IS 318 Gr. LTB 2	1
6	Locking Screw	Carbon Steel	IS 1367	1
7	Gland Flange	Cast Iron	IBR 86-93 Gr. A	1
8	Bonnet	Cast Iron	IBR 86-93 Gr. A	1
9	Gland Packing	Braided Graphited Asbestos	IS 4687	-
10	Studs	Carbon Steel	IS 1367	To Suit
11	Nuts	Carbon Steel	IS 1367	To Suit
12	Gasket	Steam Jointing Sheet	IS 2712 Gr. W/3	1
13	Stem Nut	Stainless Steel	ASTM A 276 Type 410	1
14	Stem Ring	Stainless Steel	ASTM A 276 Type 410	1
15	Disc	Cast Iron	IBR 86-93 Gr. A	1
16	Seat Ring	Stainless Steel	ASTM A 276 Type 410 / ASTM A 182 Gr. F6a	1
17	Body Seat Ring	Stainless Steel	ASTM A 276 Type 410 / ASTM A 182 Gr. F6a	1
18	Body	Cast Iron	IBR 86-93 Gr. A	1
19	Nuts	Carbon Steel	IS 1367	2
20	Bolts	Carbon Steel	IS 1367	2



Sizes / Dimensions

Size (Inches)	Size (mm)	A ±1.5	B~	ØC~
1/2	15	130	160	96
3/4	20	150	166	96
1	25	160	180	118
1 1/4	32	180	196	118
1 1/2	40	200	228	150
2	50	230	250	150
2 1/2	65	290	280	180

Size (Inches)	Size (mm)	A ±1.5	B~	ØC~
3	80	310	295	200
4	100	350	335	235
5	125	400	409	285
6	150	480	470	350
8*	200	600	580	435

* Pressure and Temperature for 200 mm Valve is as per PN10 and flanges to PN 10RF.