

1090 Cast Iron Bucket Type Steam Trap (Screwed) I.B.R.

Salient Features

- Screwed Female Ends to BSP.
- Inverted Bucket Type, Bolted Cover.
- With Stainless Steel (SS 304) renewable working parts.

Test Pressure (Hydrostatic) :

Shell : 21.10 kg/cm²g (300 psig)

Maximum Working Pressure : 10.55 kg/cm²g (150 psig)

Maximum Working Temperature : 220°C

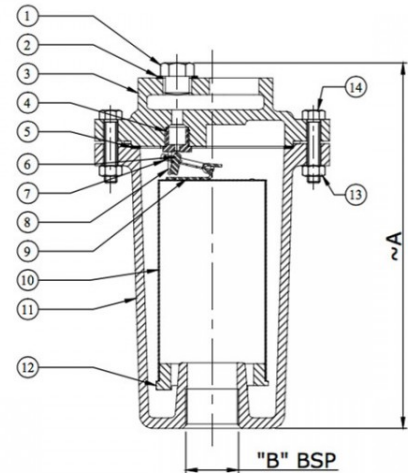
Suitable For

Steam



Materials

P.No.	Name of Part	Material of Construction	Specification	Qty.
1	Plug	Bronze	IBR 282 (a) (iv) Gr. B	1
2	Gasket	Steam Jointing Sheet	IS 2712 Gr. W/3	1
3	Cover	Cast Iron	IBR 86 To 93 Gr. A	1
4	Valve Seat	Stainless Steel	ASTM A 276 Type 304	1
5	Gasket	Steam Jointing Sheet	IS 2712 Gr. W/3	1
6	Valve	Stainless Steel	Type 304	1
7	Valve Lever	Stainless Steel	Type 304	1
8	Valve Hook	Stainless Steel	Type 304	1
9	Bucket Hook	Stainless Steel	Type 304	1
10	Bucket	Stainless Steel	Type 304	1
11	Body	Cast Iron	IBR 86 To 93 Gr. A	1
12	Bucket Ring	Cast Iron	IBR 86 To 93 Gr. A	1
13	Nuts	Carbon Steel	IS 1367	To Suit
14	Bolts	Carbon Steel	IS 1367	To Suit



Sizes / Dimensions

Size (Inches)	Size (mm)	A ~	B
1/2	15	210	1/2"
3/4	20	210	3/4"
1	25	265	1"
1 1/4	32	372	1 1/4"
1 1/2	40	372	1 1/2"
2	50	412	2"